

PACKAGING

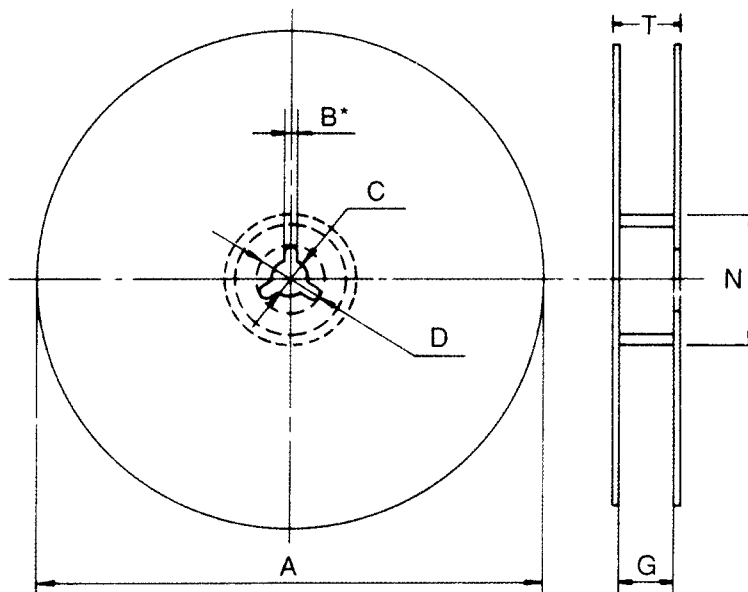
BULK PACKAGE

All JARO Multilayer Ceramic Chip Capacitors are available in sealed plastic bag. The number of chips per bag depends on size and thickness of chip capacitors.

TAPE AND REEL PACKAGE

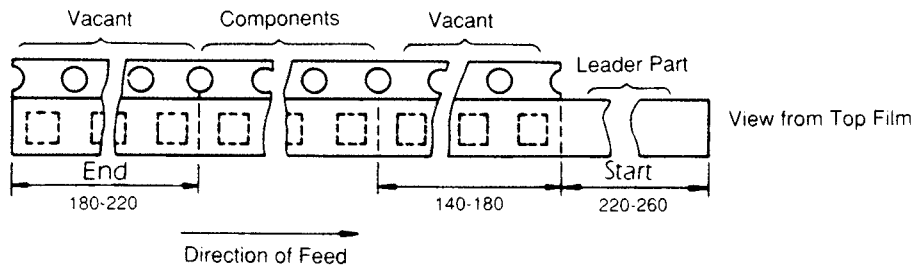
Taping is in accordance with EIA RS-481 or IEC 286-3

REEL FOR TAPING



Unit: mm

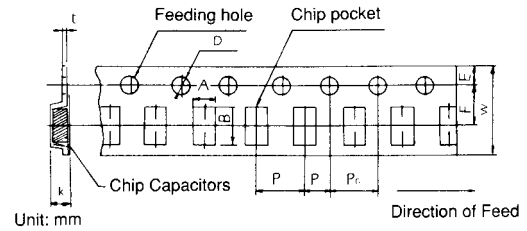
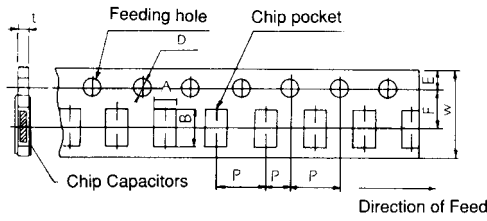
Symbol	A	N	C	D	B	G	T
Dimension	178±2.0	50 min.	130±0.5	20 min.	2.0±0.5	10.0±1.5	14.9 max.
	178±2.0	50 min.	130±0.5	20 min.	2.0±0.5	13.8±1.5	16.7 max.



Unit: mm

CARDBOARD TAPE DIMENSIONS

EMBOSSED TAPE DIMENSIONS



CARDBOARD TAPE

Unit: mm

Symbol	A	B	W	F	E	P ₁	P ₂	P ₀	ØD	t ₁
0402	0.65	1.15	8.0 ±0.3	3.5 ±0.06	1.75 ±0.1	2.0 ±0.05	2.0 ±0.05	4.0 ±0.1	1.5 +0.1 -0	1.1 max.
0603	1.25 ±0.2	2.05 ±0.2	8.0 ±0.2	3.5 ±0.05		4.0 ±0.1				
0805	1.65 ±0.2	2.4 ±0.2								
1206	2.0 ±0.2	3.6 ±0.2								

EMBOSSED TAPE

Unit: mm

Symbol	A	B	W	F	E	P ₁	P ₂	P ₀	ØD	t ₁	K
0805	1.6 ±0.2	2.4 ±0.2	8.0 ±0.2	3.5 ±0.05	1.75 ±0.1	4.0 ±0.1	2.0 ±0.05	4.0 ±0.1	1.5 +0.1 -0	0.3 max.	2.0 max.
1206	1.95 ±0.2	3.6 ±0.2									
1210	2.8 ±0.2	3.7 ±0.2									
1808	2.4 ±0.2	4.9 ±0.2	1.2 ±0.2	5.5 ±0.05	1.75 ±0.1	8.0 ±0.1	2.0 ±0.1	8.0 ±0.1	1.5 +0.1-0	0.3 max.	2.5 max.
1812	3.6 ±0.2	4.9 ±0.2	1.2 ±0.3	5.5 ±0.1	1.75 ±0.1	8.0 ±0.1	2.0 ±0.1	8.0 ±0.1	1.5 +0.1-0	0.3 max.	2.5 max.

STANDARD PACKING QUANTITY PER REEL

Chip Size	Chip Thickness, max.	Cardboard Tape	Embossed Tape
0402	0.55 mm	10,000	10,000
0603	0.95 mm	4,000	-
0805	0.95 mm	4,000	-
	1.25 mm	-	2,000
1206	0.95 mm	4,000	4,000
	1.25 mm	-	2,000
1210	1.30 mm	-	3,000
1808	1.30 mm	-	3,000
	1.60 mm	-	2,000
1812	1.30 mm	-	1,500
	1.60 mm	-	1,000