

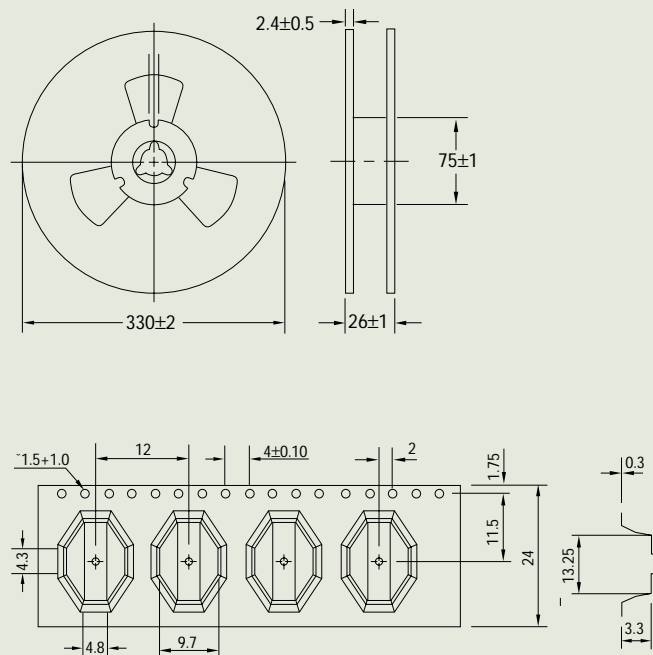
SPI Series

SMT Power Inductors

Part NO.	Inductance ($\mu\text{H}\pm 20\%$)	DCR (Ω^{+0})	Isat2 (A)
SPI0802T-100M-S	10	0.09	2.4
SPI0802T-150M-S	15	0.12	2.0
SPI0802T-220M-S	22	0.19	1.6
SPI0802T-330M-S	33	0.25	1.4
SPI0802T-470M-S	47	0.32	1.0
SPI0802T-680M-S	68	0.55	0.9
SPI0802T-101M-S	100	0.70	0.7
SPI0802T-151M-S	150	1.0	0.6
SPI0802T-221M-S	220	1.6	0.5
SPI0802T-331M-S	330	2.2	0.4
SPI0802T-471M-S	470	3.3	0.3
SPI0802T-681M-S	680	4.4	0.2
SPI0802T-102M-S	1000	7.0	0.1

1. Tested at 100 KHz, 0.1 Vrms.
2. Inductance drop=10% typ. at rated Isat.
3. Operating temperature range -40°C to 85°C

Dimensions : mm



Packaging Quantity : 700
Reel Dimensions



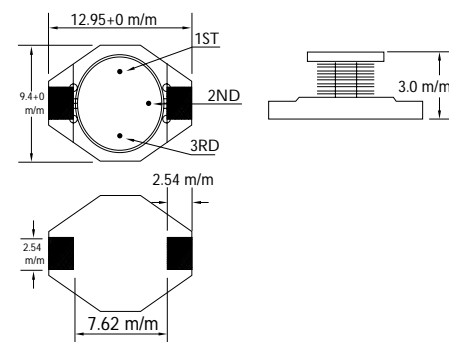
A convenient height of only .118" (3.0mm), JARO's new SPI0802 Series of surface mount power-oriented inductors are ideal for palmtop, PDA and other handheld applications.

The part comes in 13 versions with inductance ratings from 10 to 1000 μH . These parts will handle currents of up to 2 Amps.

They have a .370x.510 (9.4x13.0) base and a flat top for reliable placement and handling.

In addition to the standard versions shown here, custom inductors are available to meet your customized requirements.

Dimensions : mm



SMT Power Inductors

SPI Series



The SPI0804 Series of surface mount inductors is designed and micro-sized for low cost, and optimal performance. Their high energy storage and extremely low resistance make them the ideal inductors for DC-DC conversion in PDAs, computers, flash memory, step-up / step-down converters, memory programmers, etc.

The SPI was designed with a flap top and temperature deflection to prevent solder damage during reflow and for dependable surface mounting .

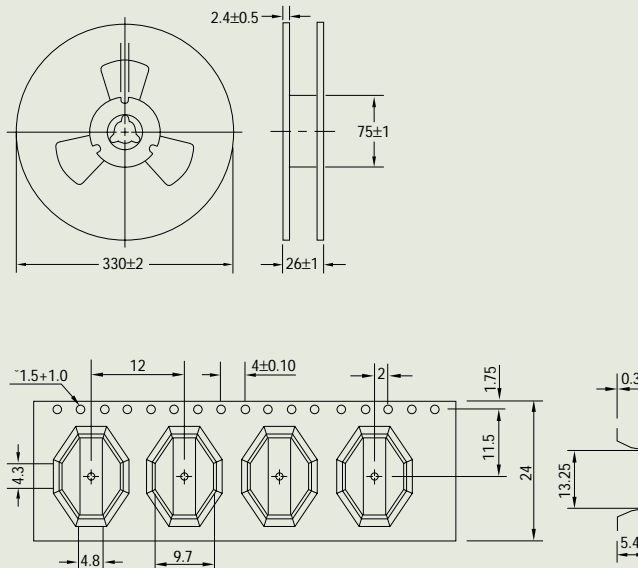
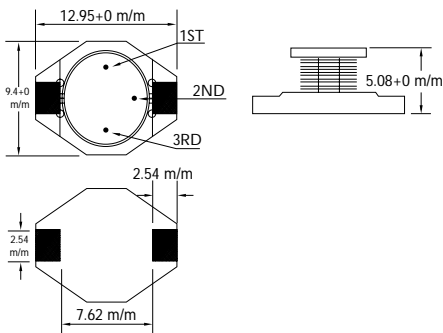
PART NO.	Inductance ($\mu\text{H}\pm 20\%$)	DCR ($\Omega\pm 15\%$)	Isat ² (A)
SPI0804T-1R0M-S	1.0	0.008	9.0
SPI0804T-1R5M-S	1.5	0.009	8.0
SPI0804T-2R2M-S	2.2	0.010	7.0
SPI0804T-3R3M-S	3.3	0.013	6.4
SPI0804T-4R7M-S	4.7	0.016	5.4
SPI0804T-6R8M-S	6.8	0.019	4.6
SPI0804T-100M-S	10	0.025	3.8
SPI0804T-150M-S	15	0.040	3.0
SPI0804T-220M-S	22	0.050	2.6
SPI0804T-330M-S	33	0.088	2.0
SPI0804T-470M-S	47	0.12	1.6
SPI0804T-680M-S	68	0.16	1.4
SPI0804T-101M-S	100	0.23	1.2
SPI0804T-151M-S	150	0.33	1.0
SPI0804T-221M-S	220	0.53	0.8
SPI0804T-331M-S	330	0.81	0.6
SPI0804T-471M-S	470	1.10	0.5
SPI0804T-681M-S	680	1.60	0.4
SPI0804T-102M-S	1000	2.15	0.3

1. Tested at 100 KHz, 0.1 Vrms.
2. Inductance drop=10% typ. at rated Isat.
3. Operating temperature range -40°C to 85°C

Dimensions : mm

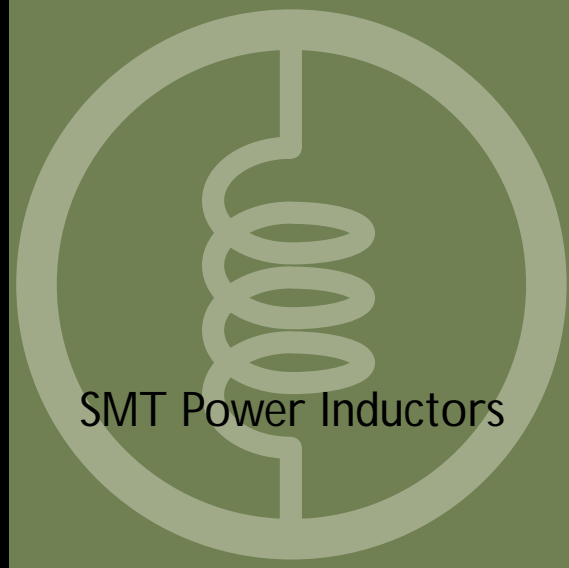
Packing Quantity : 700
Reel Dimensions

Dimensions : mm



SPI Series

SMT Power Inductors



PART NO.	Inductance ($\mu\text{H}\pm 20\%$)	DCR (Ω^{+0})	Isat ² (A)
SPI0810T-100M-S	10	0.033	8.0
SPI0810T-150M-S	15	0.042	7.0
SPI0810T-220M-S	22	0.054	5.5
SPI0810T-330M-S	33	0.080	4.0
SPI0810T-470M-S	47	0.10	3.8
SPI0810T-680M-S	68	0.17	3.0
SPI0810T-101M-S	100	0.22	2.5
SPI0810T-151M-S	150	0.34	2.0
SPI0810T-221M-S	220	0.44	1.6
SPI0810T-331M-S	330	0.70	1.2
SPI0810T-471M-S	470	0.95	1.0
SPI0810T-681M-S	680	1.2	1.0
SPI0810T-102M-S	1000	2.0	0.8

1. Tested at 100 KHz, 0.1 Vrms. 2. Inductance drop=10% typ. at rated Isat.
 3. Operating temperature range -40°C to 85°C

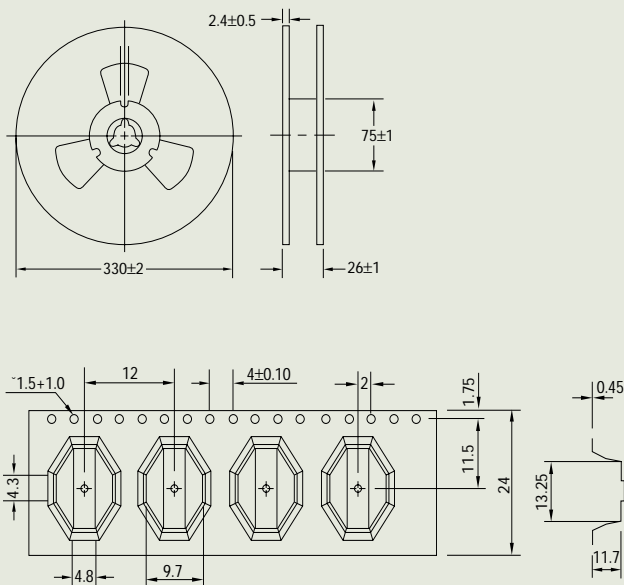


These surface mount power inductors provide optimal current capabilities in a small micro-component-up to 3.5 Arms with an 8 Adc saturation current rating for a 10 μH part.

These parts were specifically designed for reliable surface mounting.They have a flat top and temperature deflection to prevent damage during solder reflow.

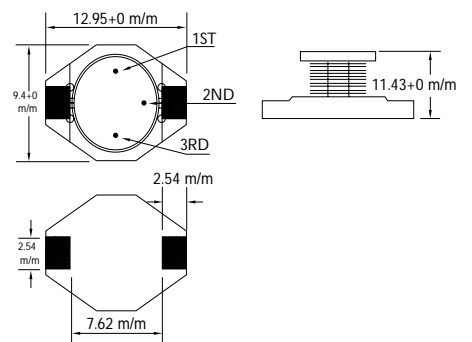
In addition to the standard versions shown here,customized inductors are available to meet your precise requirements.

Dimensions : mm



Packing Quantity : 300
 Reel Dimensions

Dimensions : mm



SMT Power Inductors

SPI Series



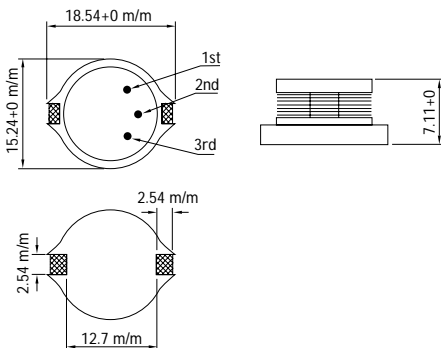
This series of surface mount power inductors is engineered for high current requirements--such as the Pentium Pro and other handheld and portable devices.

A 1 μ H inductor is rated at 8.6Arms with a saturation current of 20Amps. Extremely low dc resistance (as low as .011 Ω) keeps power loss to a minimum.

The SPI1306T Series was designed with surface mounting in mind. It has a flat top for reliable placement operations and features ideal temperature deflection.

In addition to the standard versions shown here, customized inductors are available to meet your precision requirements.

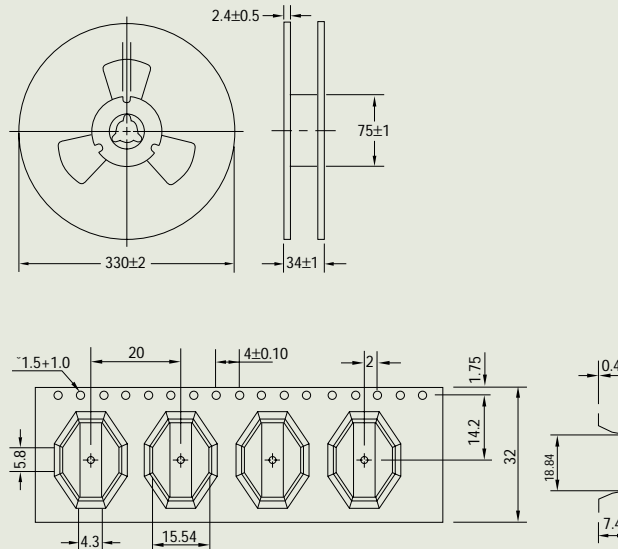
Dimensions : mm



Part Number	Inductance (μ H \pm 20%)	DCR (Ω \pm 15%)	Isat ² (A)	Irms ³ (A)
SPI1306T-1R0M-S	1.0	0.011	20	8.6
SPI1306T-2R2M-S	2.2	0.014	16	7.1
SPI1306T-3R3M-S	3.3	0.016	14	6.2
SPI1306T-5R6M-S	5.6	0.022	12	5.3
SPI1306T-100M-S	10	0.032	10	4.3
SPI1306T-150M-S	15	0.036	8.0	4.0
SPI1306T-220M-S	22	0.047	7.0	3.5
SPI1306T-330M-S	33	0.066	5.5	3.0
SPI1306T-470M-S	47	0.87	4.5	2.6
SPI1306T-680M-S	58	0.13	3.5	2.3
SPI1306T-101M-S	100	0.19	3.0	1.8
SPI1306T-151M-S	150	0.25	2.6	1.5
SPI1306T-221M-S	220	0.38	2.4	1.2
SPI1306T-331M-S	330	0.56	1.9	1.0
SPI1306T-471M-S	470	0.85	1.4	0.82
SPI1306T-681M-S	680	1.2	1.2	0.72
SPI1306T-102M-S	1000	1.8	1.0	0.56

1. Tested at 100 kHz, 0.1 Vrms.
2. Inductance drop=10% typ. at rated Isat.
3. Δ T=40°C typ at I rms.
4. Operating temperature range -40°C to 85°C

Dimensions : mm



Packaging Quantity : 500
Reel Dimensions